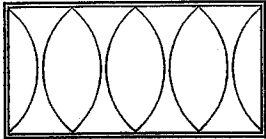
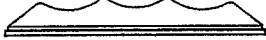



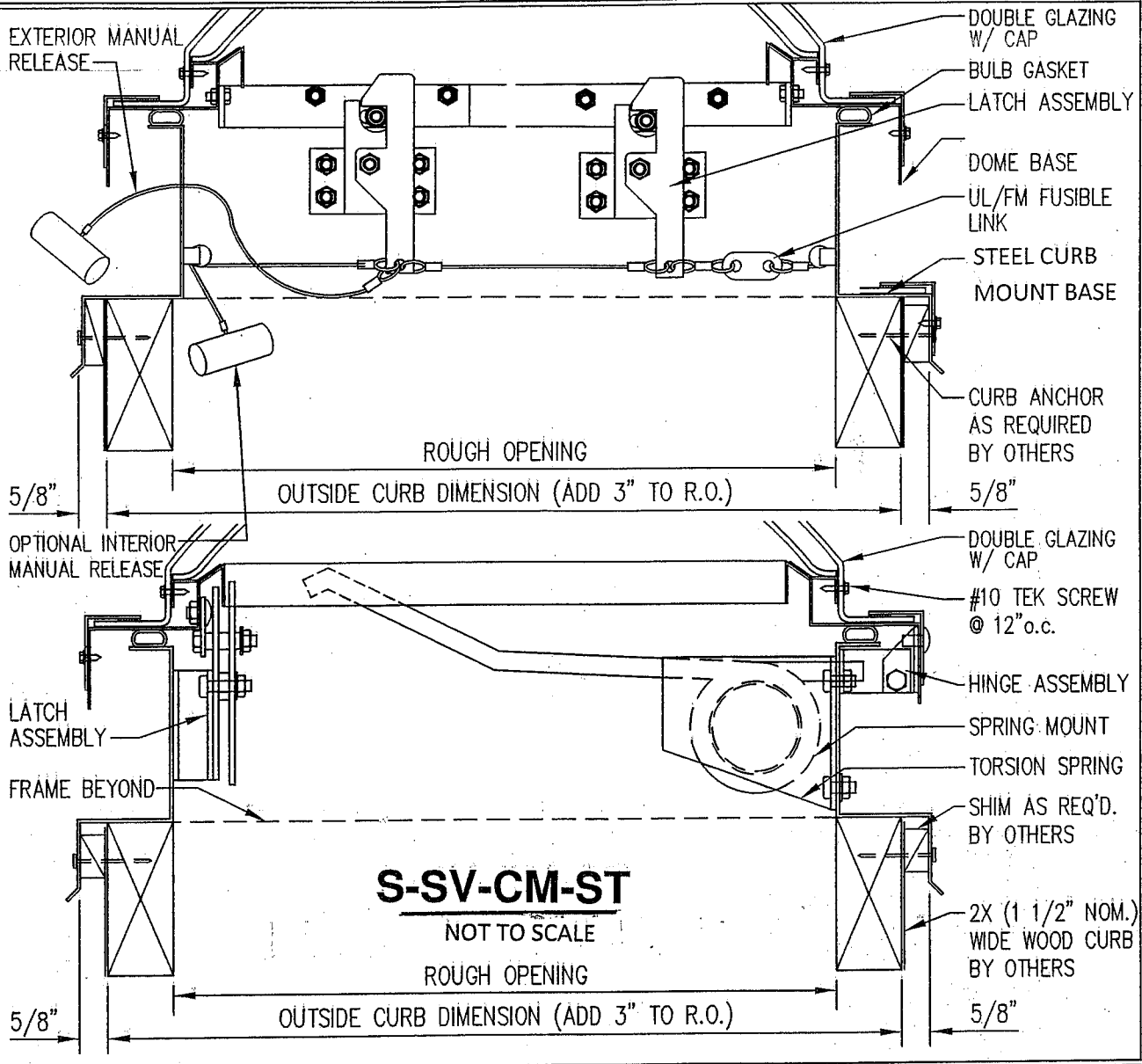
<b>FRAME FINISH</b>		<b>MANUAL RELEASE OPTION</b>	
<input type="radio"/> MILL (UNFINISHED)	<input type="radio"/> INTERIOR RELEASE	<input type="radio"/> EXTERIOR RELEASE	<input type="radio"/> NO MANUAL RELEASE
<input type="radio"/> OTHER _____			

<b>FUSIBLE LINK OPTION</b>			
<input type="radio"/> 165° UL/FM FUSIBLE LINK	<input type="radio"/> 212° UL/FM FUSIBLE LINK	<input type="radio"/> 286° UL/FM FUSIBLE LINK	<input type="radio"/> 370° UL/FM FUSIBLE LINK

<b>SKY-ARC™</b>			
 <p><b>PLAN VIEW</b></p>  <p><b>SIDE ELEVATION</b></p>  <p><b>END ELEVATION</b></p>			

<b>SKY-ARC™ DOUBLE GLAZING</b>			
<b>OUTER GLAZING</b>			
<input type="radio"/> SKY-ARC™ (SA)	<input type="radio"/> SKY TOUGH™ (ST)	<input type="radio"/> WHITE	
<b>INNER GLAZING</b>			
<input type="radio"/> CLEAR COLORLESS DOME (AC)			

<b>QTY.</b>	<b>MODEL</b>	<b>ROUGH OPENING</b>	<b>QTY.</b>	<b>MODEL</b>	<b>ROUGH OPENING</b>
		SQUARE			RECTANGULAR
4848		48" X 48"			
			4896		48" X 96"



<b>PROJECT:</b>	
<b>CUSTOMER:</b>	
<b>APPROVED BY:</b>	<b>DATE:</b>
<b>JOB NO.:</b>	<b>DWG. BY: D.A.</b>
<b>DATE SUB.:</b>	<b>DATE NEEDED OR SHIP BY:</b>
<b>GALVANIZED SMOKE VENT DOUBLE DOM CURB MOUNT SKYLIGHT</b>	

<b>REVISIONS</b>	
△	_____
△	_____
△	_____
Page: 2.06 Cap	