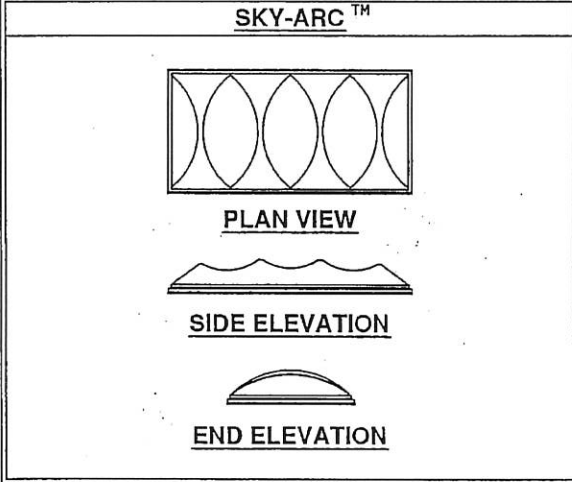


<b>FRAME FINISH</b>	<b>MANUAL RELEASE OPTION</b>
<input type="radio"/> MILL (UNFINISHED)	<input type="radio"/> INTERIOR RELEASE
<input type="radio"/> OTHER _____	<input type="radio"/> EXTERIOR RELEASE
	<input type="radio"/> NO MANUAL RELEASE

<b>FUSIBLE LINK OPTION</b>
<input type="radio"/> 165° UL/FM FUSIBLE LINK
<input type="radio"/> 212° UL/FM FUSIBLE LINK
<input type="radio"/> 286° UL/FM FUSIBLE LINK
<input type="radio"/> 370° UL/FM FUSIBLE LINK

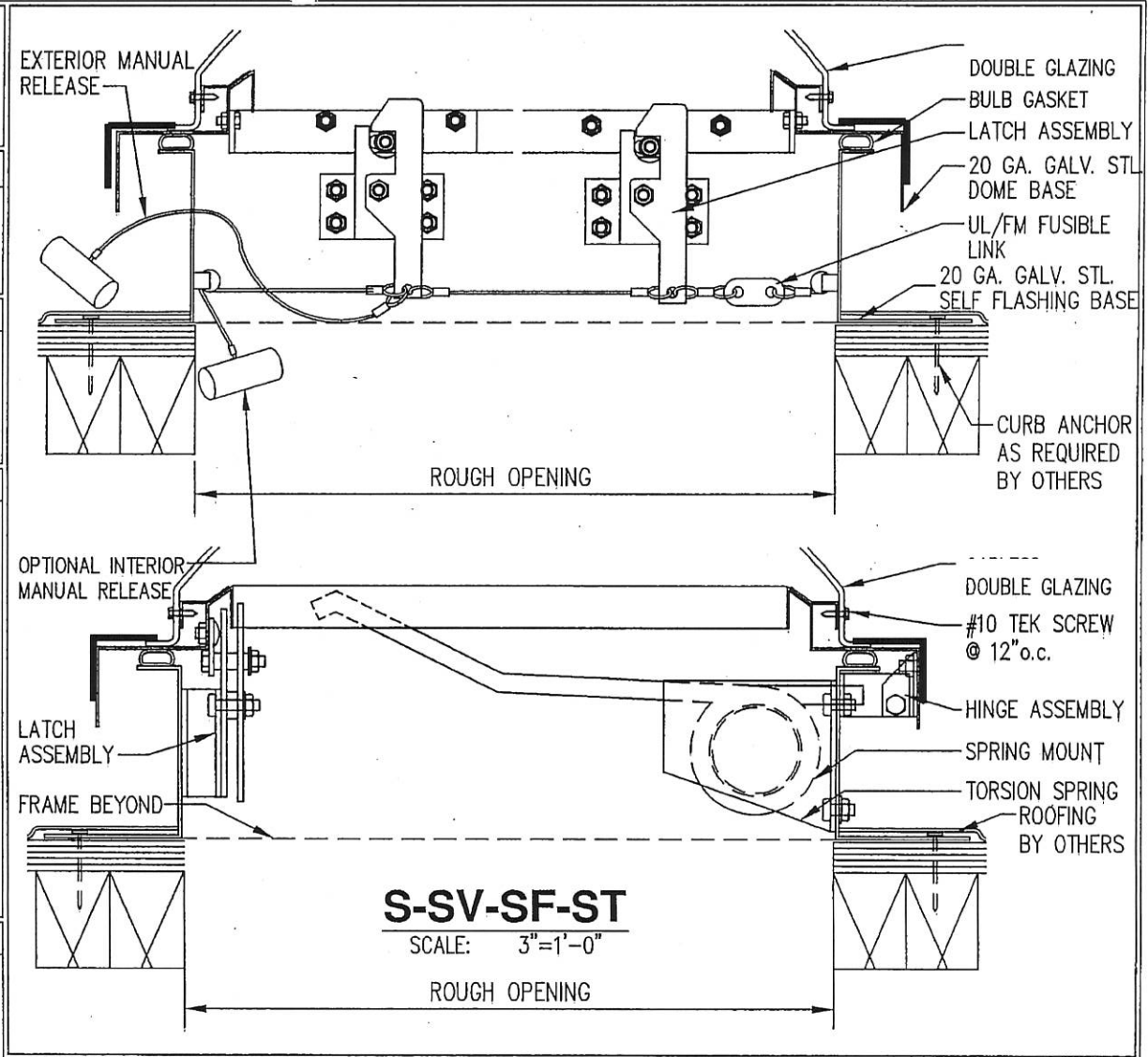
<b>SKY-ARC™</b>
<input type="radio"/> SKY-ARC™ (SA) SKY TOUGH™ (ST) WHITE
<input type="radio"/> OTHER: _____



**SKY-ARC™ SINGLE GLAZING**

<input type="radio"/> SKY-ARC™ (SA) SKY TOUGH™ (ST) WHITE
<input type="radio"/> OTHER: _____

QTY.	MODEL	ROUGH OPENING	QTY.	MODEL	ROUGH OPENING
SQUARE			RECTANGULAR		
	4848	48" X 48"		4669	46 1/4" X 69 1/2"
		RECTANGULAR		4689	46 1/4" X 89 1/2"
	3775	37" X 75"		4896	48" X 96"



<b>PROJECT:</b>	<b>REVISIONS</b>
<b>CUSTOMER:</b>	△ _____
<b>APPROVED BY:</b>	△ _____
<b>DATE:</b>	△ _____
<b>JOB NO. :</b>	<b>DATE NEEDED OR SHIP BY:</b>
<b>DATE SUB.:</b>	<b>STEEL SINGLE LID SMOKE VENT SELF FLASHING SINGLE DOME</b>
	<b>PAGE: 2.07</b>